



Sink

S4000

Sink - 1 bowl - Q4 Edge - for standard built-in installation

Code: 4383 051 DX (Vasca a destra)

Code: 4383 052 SX (Vasca a sinistra)

Product Details

Materials/Finishes	Foster-brushed finish AISI 304 stainless steel
Cabinet	60 cm
Dimensions	860x500 mm
Edge/Installation Type	Q4 Edge - for standard built-in installation
Cut out	840x480 mm
Number of bowls	1 bowl
Bowl dimension	450x400 mm
Waste fitting	3,5" waste
Mixer holes	One standard tap hole
Standard fittings	fixing brackets, gasket, waste fitting, overflow and siphon. Packing: single carton box.

Features



High thickness



Small radius



Deep bowls

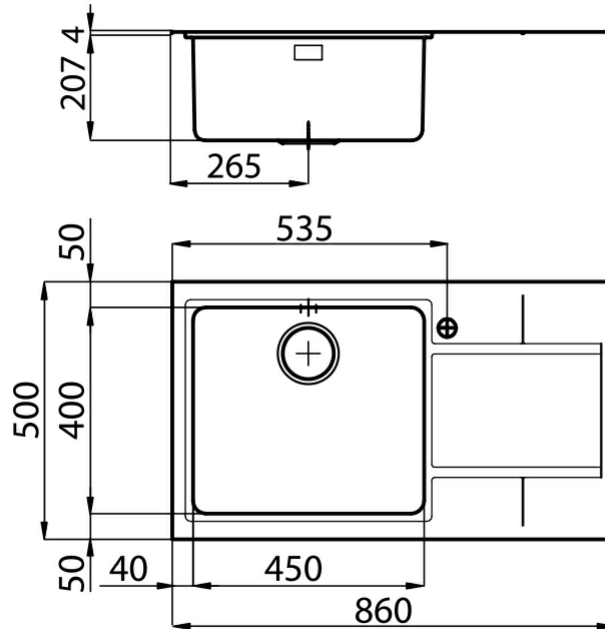


Perimetral overflow



Basket 3,5" waste fitting

Dimensions



Optional accessories



iroko-wood
sliding
chopping
board 8644
041



iroko-wood
twin chopping
board 8644
004



glass chopping
board 8631
300



glass chopping
board 8633
300



iroko-wood
sliding
chopping
board 8643
000



hpde chopping
board 8657
001



hpde twin
chopping
board 8644
101



white bowl
8153 100



iroko-wood
chopping
board with
stainless steel
colander 8644
042



graters kit with
ring-holder and
food collection
tray 8159 101



cestello inox
8612 000



stainless steel
plate rack
8100 154



stainless
steel
plate
rack
8100
201



stainless
steel
plate
rack
8100
303



stainless
steel
colander
8154
000



stainless
steel
perforated
tray 8151
000

20-02-2019 11:13:24